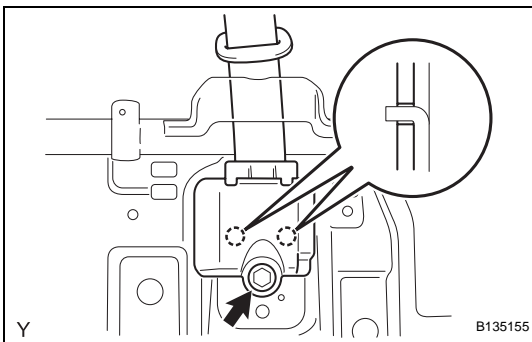
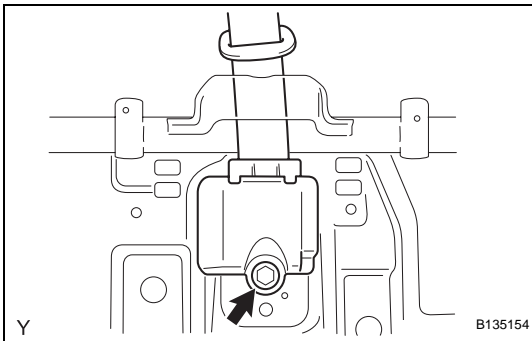


REMOVAL

1. REMOVE REAR SEATBACK BOARD CARPET ASSEMBLY (See page [SE-43](#))
2. REMOVE REAR SEATBACK ASSEMBLY (See page [SE-43](#))
3. REMOVE REAR SEAT HEADREST ASSEMBLY (See page [SE-45](#))
4. REMOVE REAR CENTER SEAT HEADREST ASSEMBLY (See page [SE-45](#))
5. REMOVE REAR SEAT SHOULDER BELT COVER (See page [SE-45](#))
6. REMOVE REAR SEATBACK LOCK COVER (See page [SE-45](#))
7. REMOVE REAR SEAT HEADREST SUPPORT (See page [SE-46](#))
8. REMOVE REAR SEATBACK LOCK RELEASE BUTTON (See page [SE-47](#))
9. REMOVE REAR SEATBACK STOP BUTTON GROMMET (See page [SE-47](#))
10. REMOVE REAR SEATBACK FRAME SUB-ASSEMBLY (See page [SE-47](#))
11. REMOVE REAR CENTER SEAT OUTER BELT ASSEMBLY
 - (a) Remove the nut and the rear center seat outer belt.

SB



INSTALLATION

1. INSTALL REAR CENTER SEAT OUTER BELT ASSEMBLY
 - (a) Hook the stay of the retractor onto the 2 rear seatback frame hooks and install the retractor with the nut.
Torque: 42 N*m (430 kgf*cm, 31 ft.*lbf)
 - (b) Check that the ELR locks.
NOTICE:
Perform the check with the front seat outer belt installed.
 - (1) With the belt installed, check that the belt locks when it pulled out quickly.
 If the operation is not as specified, replace the rear seat outer belt.
2. INSTALL REAR SEATBACK FRAME SUB-ASSEMBLY (See page [SE-49](#))

3. INSTALL REAR SEATBACK STOP BUTTON GROMMET (See page [SE-50](#))
4. INSTALL REAR SEATBACK LOCK RELEASE BUTTON (See page [SE-51](#))
5. INSTALL REAR SEAT HEADREST SUPPORT (See page [SE-51](#))
6. INSTALL REAR SEATBACK LOCK COVER (See page [SE-52](#))
7. INSTALL REAR SEAT SHOULDER BELT COVER (See page [SE-52](#))
8. INSTALL REAR CENTER SEAT HEADREST ASSEMBLY (See page [SE-52](#))
9. INSTALL REAR SEAT HEADREST ASSEMBLY (See page [SE-52](#))
10. INSTALL REAR SEATBACK ASSEMBLY (See page [SE-54](#))
11. INSTALL REAR SEATBACK BOARD CARPET ASSEMBLY (See page [SE-54](#))